

Chatillon® CTR Series Digital Crane Scale System

The CHATILLON® CTR Series digital crane scale system is a precision weighing solution for high capacity weighing. The CTR Series consists of a precision weighing sensor and a wireless remote controller/indicator. The CTR Series is available in three capacities from 6600 lbs to 22,000 lbs (3000 to 10,000 kg). All CTR Series have a measurement accuracy of better than 0.2% full scale. The system displays measured values in either pounds (lbs) or kilograms (kg) on its remote indicator/controller that can be up to 100 ft (30 m) away from the measuring head. The CTR Series is powered using rechargeable battery pack. The scale can display the peak weight with the manual hold key. You may add accessories and tare out their weight up to 100% of the scale's rated capacity. The remote indicator/controller lets you change units, clear measurements, zero and tare out weight.

The CTR Series scale is supplied with hanging loop, S-hook, remote indicator/controller, charger/adaptor with US, EU and UK plug adapter. The CTR Series is supplied with a Certificate of Conformance. An optionally available Certificate of Calibration with NIST is available.

Features

- Displays LB and Kg units of measure
- Rugged, Cast Aluminum Weighing Sensor
- Bright, Backlighted LCD Remote Indicator/Controller
- Wireless Remote Indicator can be located up to 100 ft (30 m) away from the measuring head
- Hold Weigh Capture
- 150% Safety Overload (500% Ultimate Overload)
- Rechargeable Battery
- 1 Year Warranty

Standard Accessories

- Top Holding Loop
- Bottom Swivel Hook (Permanently attached)
- Battery Charger/Adapter
- Remote Controller/Indicator
- Certificate of Conformance
- User Guide



Shown the CMA Remote Indicator



Ordering

CTR Series w/ Conformance Cert

Model	Capacity	Capacity
CTR-6K	6600 lb x 1 lb	3000 kg x 0.5 kg
CTR-11K	11,000 lb x 2 lb	5000 kg x 1 kg
CTR-22K	22,000 lb x 5 lb	10,000 kg x 2 kg

CTR Series w/ NIST Cert

Model	Capacity	Capacity
CTR-6K-N	6600 lb x 1 lb	3000 kg x 0.5 kg
CTR-11K-N	11,000 lb x 2 lb	5000 kg x 1 kg
CTR-22K-N	22,000 lb x 5 lb	10,000 kg x 2 kg

Accessories

Part No.	Description
CMAI	Remote Controller
MA-Power	Charger/Adapter, Universal

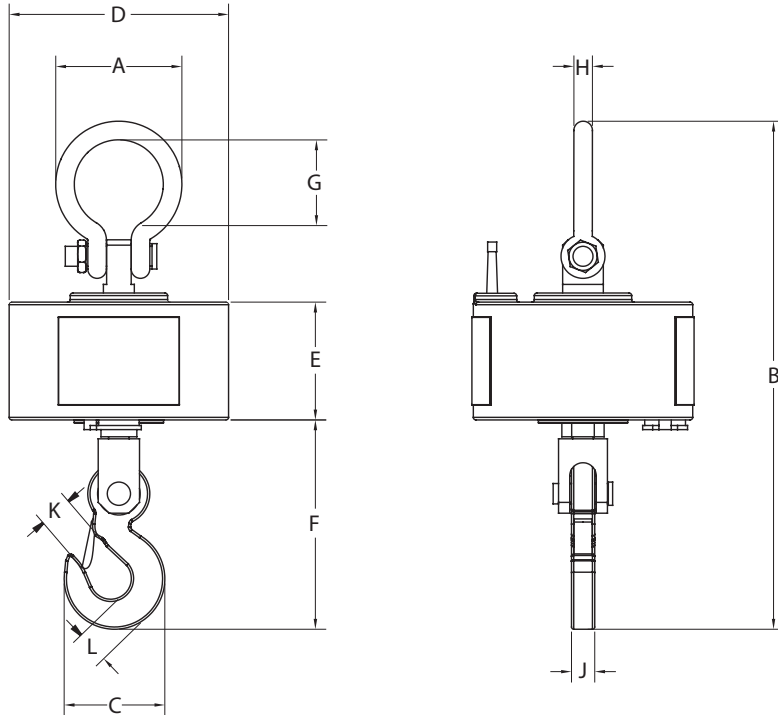
Specifications - Weigh Sensor

Accuracy: Better than 0.2% of full scale
Safe Overload: 150% of rated capacity
Ultimate Overload: 500% of rated capacity
Display: None
Data Sampling Rate: 60Hz
Power: Rechargeable Battery
Continuous Operation: 70 hrs (typical)
Operating Temperature: 32° to 104°F (0° to 40°C)
Storage Temperature: -4° to 104°F (-20° to 40°C)
Relative Humidity: 0 to 85%
RoHS Compliant: Yes
WEEE Compliant: Yes

Specifications - Indicator

Enclosure: NEMA 3
Display: Backlighted, LCD
Display Update Rate: 15 Hz
Antenna: Integral
Antenna Range: 100 ft (30 m)
Frequency: 429-433MHz
Output Level: 10 mW
Battery Life: 30 hrs (estimated continuous)
Operating Temperature: 32° to 104°F (0° to 40°C)
Storage Temperature: -4° to 104°F (-20° to 40°C)
Relative Humidity: 0 to 85%
Connectors: 9-pin
RoHS Compliant: Yes
WEEE Compliant: Yes

Dimensions



Inches												Instrument	Shipping
Model	A	B	C	D	E	F	G	H	J	K	L	Weight	Weight
CTR-6K	5.31"	25.60"	5.11"	11.00"	5.70"	10.70"	3.15"	0.94"	1.44"	1.58"	1.75"	66 lbs	72 lbs
CTR-11K	5.12"	28.35"	5.98"	10.63"	5.83"	12.99"	2.76"	1.10"	1.44"	2.08"	2.17"	130 lbs	139 lbs
CTR-22K	6.30"	33.86"	7.28"	10.63"	6.62"	16.14"	3.54"	1.38"	1.77"	2.52"	2.56"	170 lbs	190 lbs

mm												Instrument	Shipping
Model	A	B	C	D	E	F	G	H	J	K	L	Weight	Weight
CTR-6K	135	650	130	280	145	272	80	24	36	40	44	30 kg	33 kg
CTR-11K	130	720	152	270	148	330	70	28	36	52	55	59 kg	63 kg
CTR-22K	160	860	185	270	168	410	90	35	45	64	65	77 kg	86 kg

Note: Weights are approximate.

UK

Tel +44 (0)1243 833 370
 uk-far.general@ametek.co.uk

France

Tel +33 (0)1 30 68 89 40
 general.lloyd-instruments@ametek.fr

Germany

Tel +49 (0)2159 9136 510
 info.mct-de@ametek.de

Denmark

Tel +45 4816 8000
 ametekdk@ametek.com

USA

Florida
 Tel +1 (727) 538 6000
 chatillon.fl-lar@ametek.com

California
 Tel +1 (800) 444 1850
 sales@crystalengineering.net

India

Tel +91 22 2836 4750
 ametekdk@ametek.com

Singapore

Tel +65 6484 2388
 ametekdk@ametek.com

China

Shanghai
 Tel +86 21 5868 5111

Beijing

Tel +86 10 8526 2111

Guangzhou

Tel +86 20 8363 4768
 lloyd@ametek.com.cn